

= 1 sq foot

General Setup Instructions

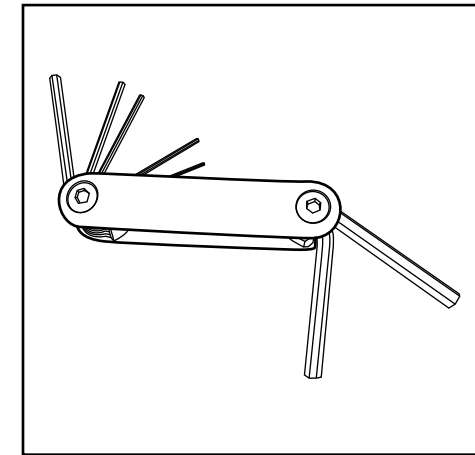
- Read entire setup instruction manual prior to unpacking parts and pieces.
- The setup instructions are created specifically for this configuration.
- Setup instructions are laid out sequentially in steps, including exploded views with detailed explanation for assembly.

Cleaning & Packing

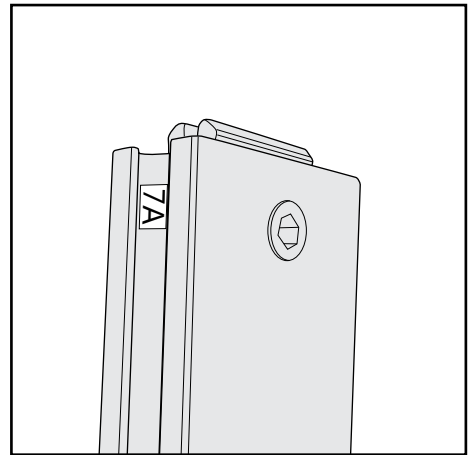
- For Cleaning Metal, Plex, & Laminate Parts: Use a **MILD NON-ABRASIVE** cleanser and soft cloth/paper towel to clean all surfaces.
- Keep exhibit components away from heat and prolonged sun exposure. **Heat and UV exposure will warp and fade components.**
- Retain all provided Packing Materials. All provided packing materials are for ease of repacking & component protection.

Disassembly

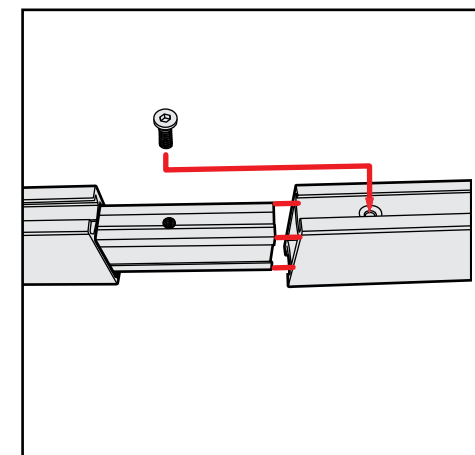
- For loss prevention, tighten all set screws and locks during disassembly.



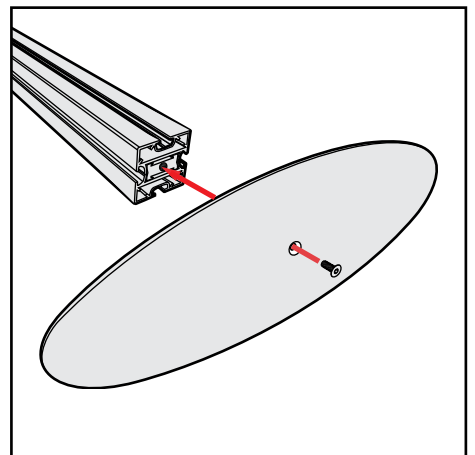
Hex Tool - Essential for Assembly



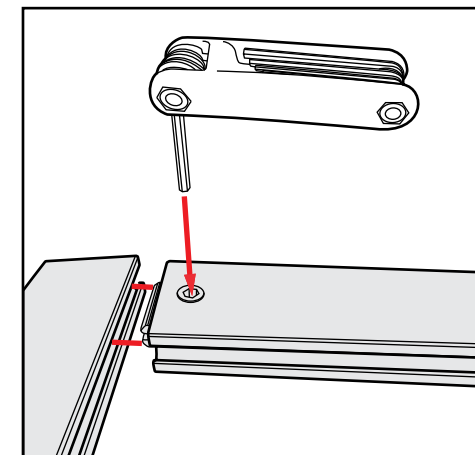
Part Identification - Numbering



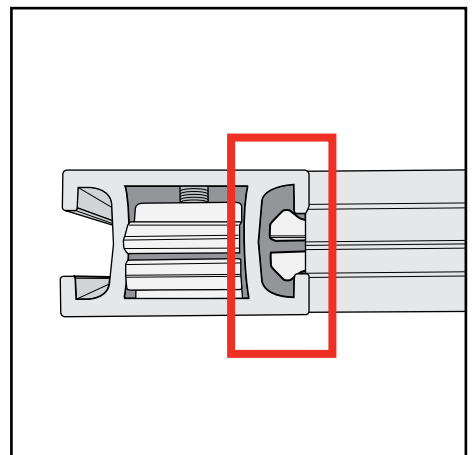
Spline Connection



Base Plate & Extrusion Connection



Extrusion & Lock Connection



Engaged Lock

WARNING



DO NOT USE POWER TOOLS



LADDERS OR LIFTS MAY BE REQUIRED



ALL CONNECTIONS MUST BE TIGHTLY SECURED

Controlling the RGB LED lights

Static Mode:

1. Use the Color Ring key to select a color.
2. Saturation is controlled with W/R/G/B keys.
3. White mode is available by long-pressing 'ON' key.
4. Colors (not white) are dimmable with the Brightness key.

Dynamic Mode:

- Press "M" key to cycle through the following options:
1. White light fades in and out.
 2. Several colors fade in and out.
 3. R,G,B three colors fade in and out.
 4. R,G,B three colors flash.
 5. Six colors flash.
 6. Random color flashes.
 7. Red color fades in and flashes.
 8. Green color fades in and flashes.
 9. Blue color fades in and flashes.

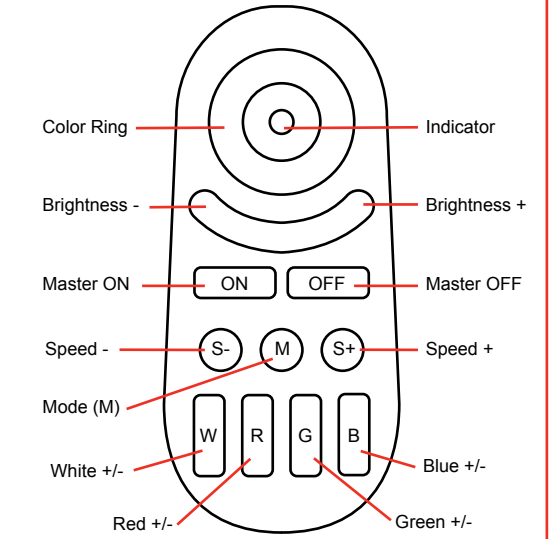
To Pair a Remote with Multiple Units:

1. Power on the lights.
2. Press 'ON' key within 3 seconds.
3. Lights will blink when link is made.

To unpair: Long press 'ON' key within 3 seconds after switching on lights.

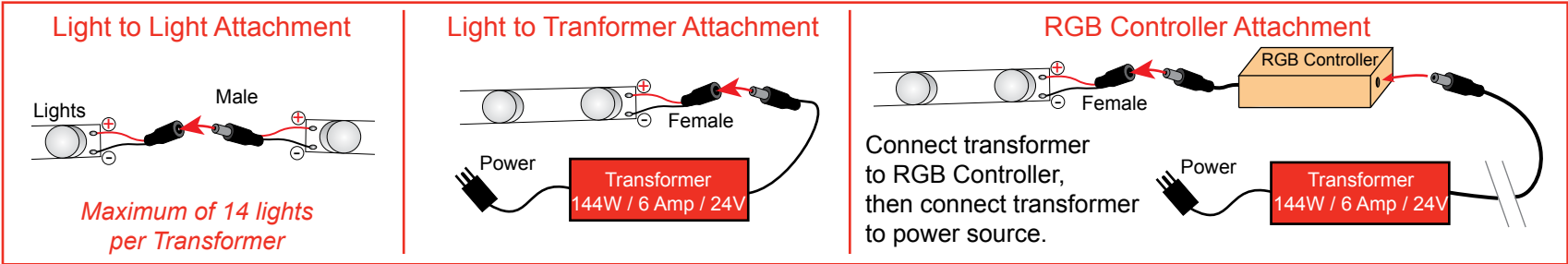
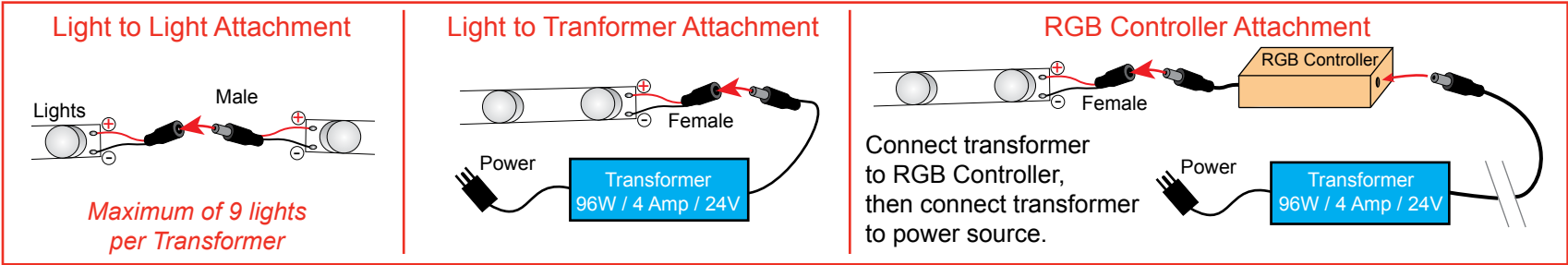
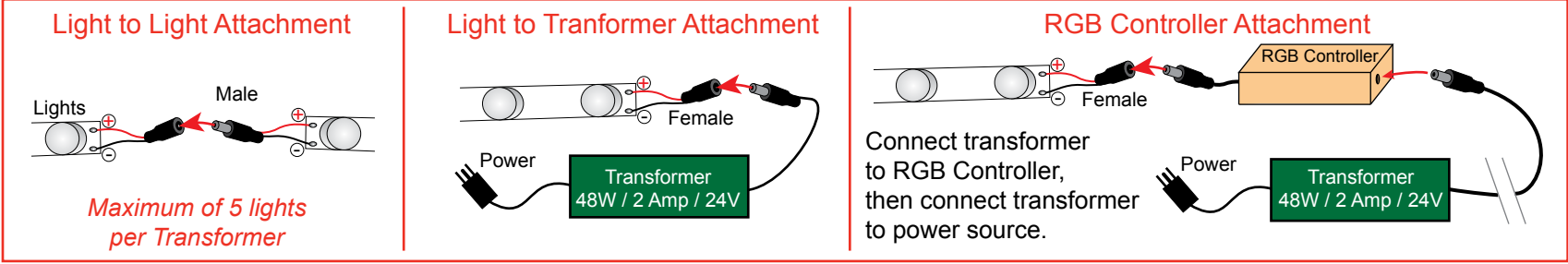
Remotes can be paired with one or more receivers. Different receivers can work synchronously even when started at different times (within 30 min).

Function of Keys



Specifications:

- | | |
|-------------------------------|-----------------------------|
| Receiver: | Remote Control: |
| 1. Working voltage: DC12V/24V | 1. Working voltage: 3V |
| 2. Output: Max. 6A/Channel | 2. Standby power: <20uA |
| 3. Max standby power: 0.5W | 3. Transmitting power: 6dBm |

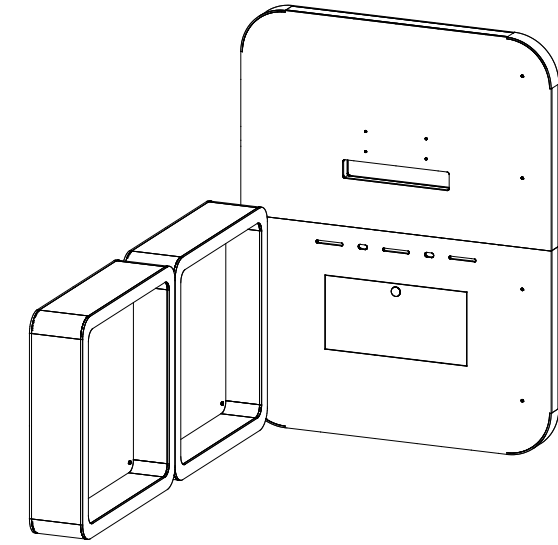


CRATE PACKING

| Item | Qty. | Description |
|------|------|------------------------------|
| A | 1 | 48"w x 48"h x 12"d Cabinet |
| B | 1 | 48"w x 48"h x 12"d Cabinet |
| F1 | 1 | 70"w x 45"h x 4"d Wall Panel |
| F2 | 1 | 70"w x 45"h x 4"d Wall Panel |

Steps:

- 1) Connect Cabinets [A] & [B] together using roto cam locks.
See **Roto Cam Lock Connection** detail.
- 2) Assemble Wall Panels [F1-F2] together using roto cam locks.
See **Roto Cam Lock Connection** detail.
- 3) Use bolts to connect Wall Panel [F1] to nutserts on side of Cabinet [B]. See **Bolt to Nut Sert Connection** detail.



When assembled

*** Roto Cam Lock Connection**

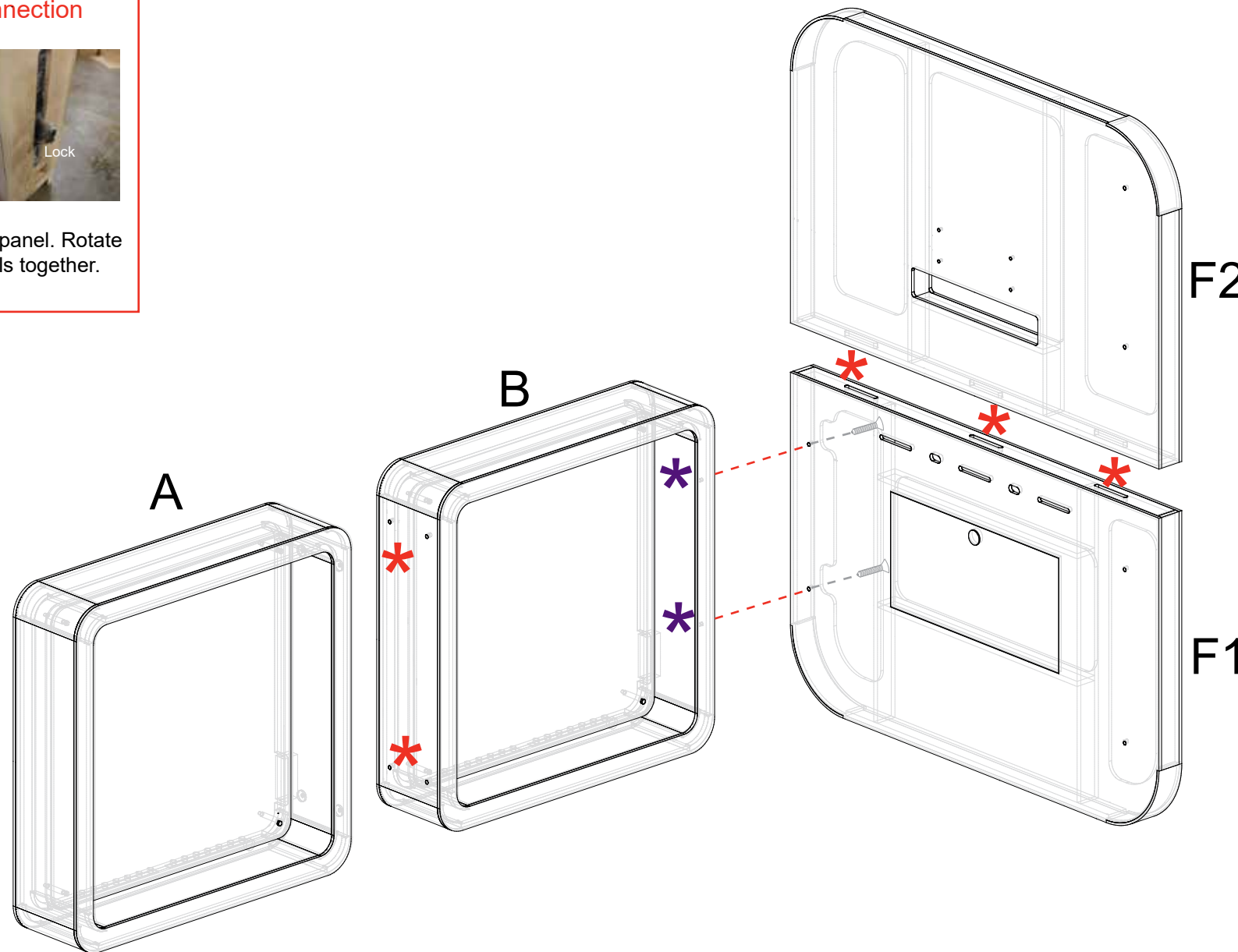
Step 1

Hex Key Tool
Hole

Step 2

Hex Key Tool
Lock

Place hex tool in hole on side of panel. Rotate to activate lock & secure panels together.



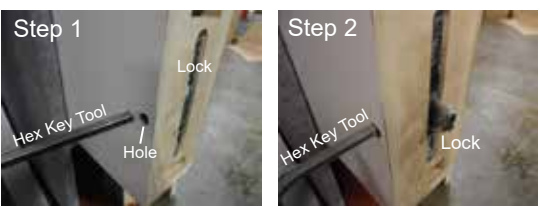
*** Bolt to Nut Sert Connection**

A diagram showing a bolt being inserted into a nutsert. The nutsert is a small cylindrical component that fits into a hole in the cabinet. The bolt is used to secure the wall panel to the cabinet.

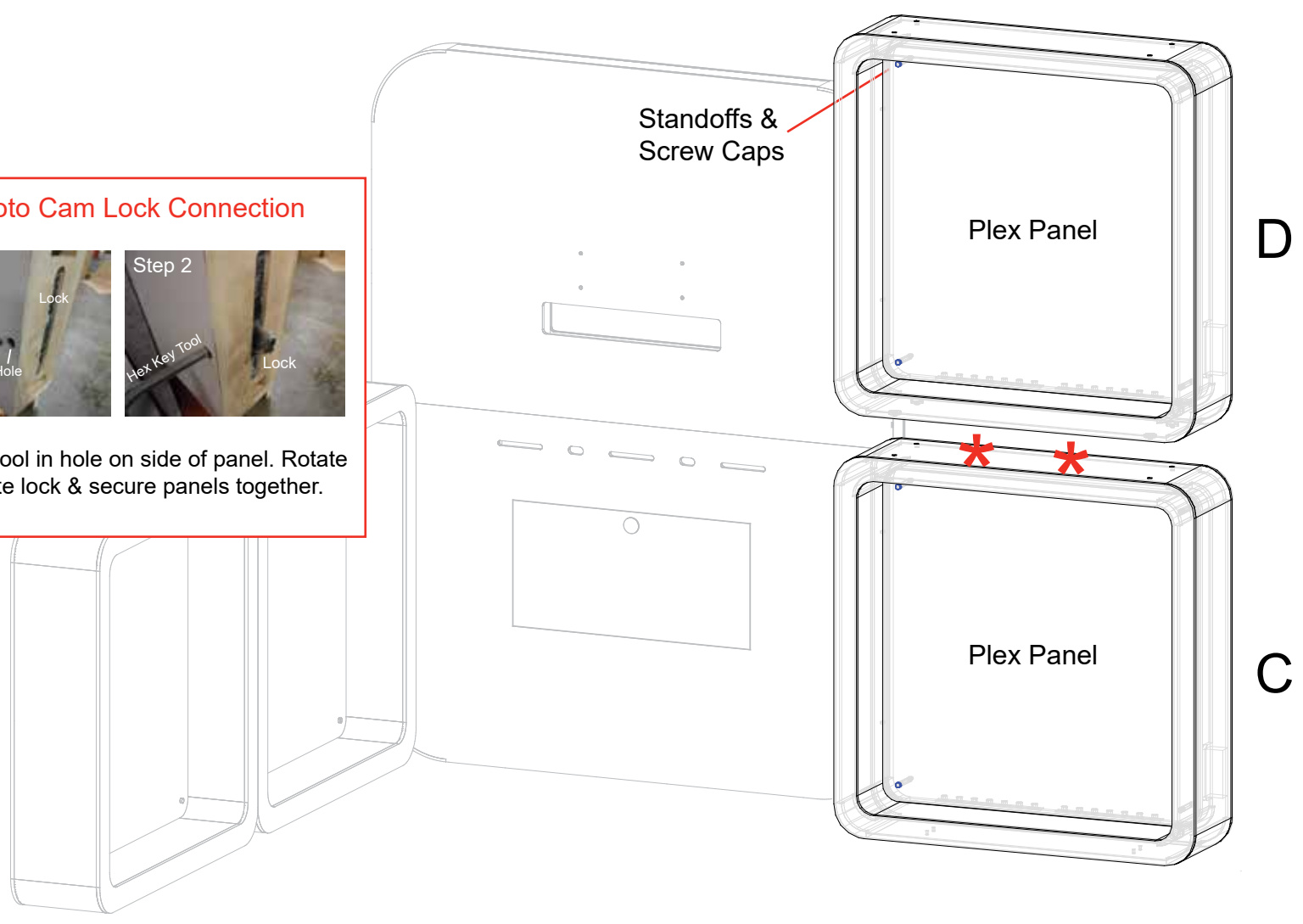
| Item | Qty. | Description |
|------|------|----------------------------|
| C | 1 | 48"w x 48"h x 12"d Cabinet |
| D | 1 | 48"w x 48"h x 12"d Cabinet |

- Steps:
- 1) Attach plex panels inside of Cabinets [C] and [D], using standoffs and screw caps.
 - 2) Connect Cabinets [C] & [D] together using roto cam locks. See **Roto Cam Lock Connection** detail.
 - 3) Use bolts and screw caps to connect Wall Panel [F2/F1] back of Cabinets [C] & [D]. See **Bolt to Nut Sert Connection** detail.

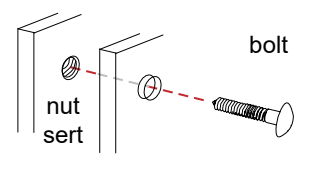
*** Roto Cam Lock Connection**



Place hex tool in hole on side of panel. Rotate to activate lock & secure panels together.

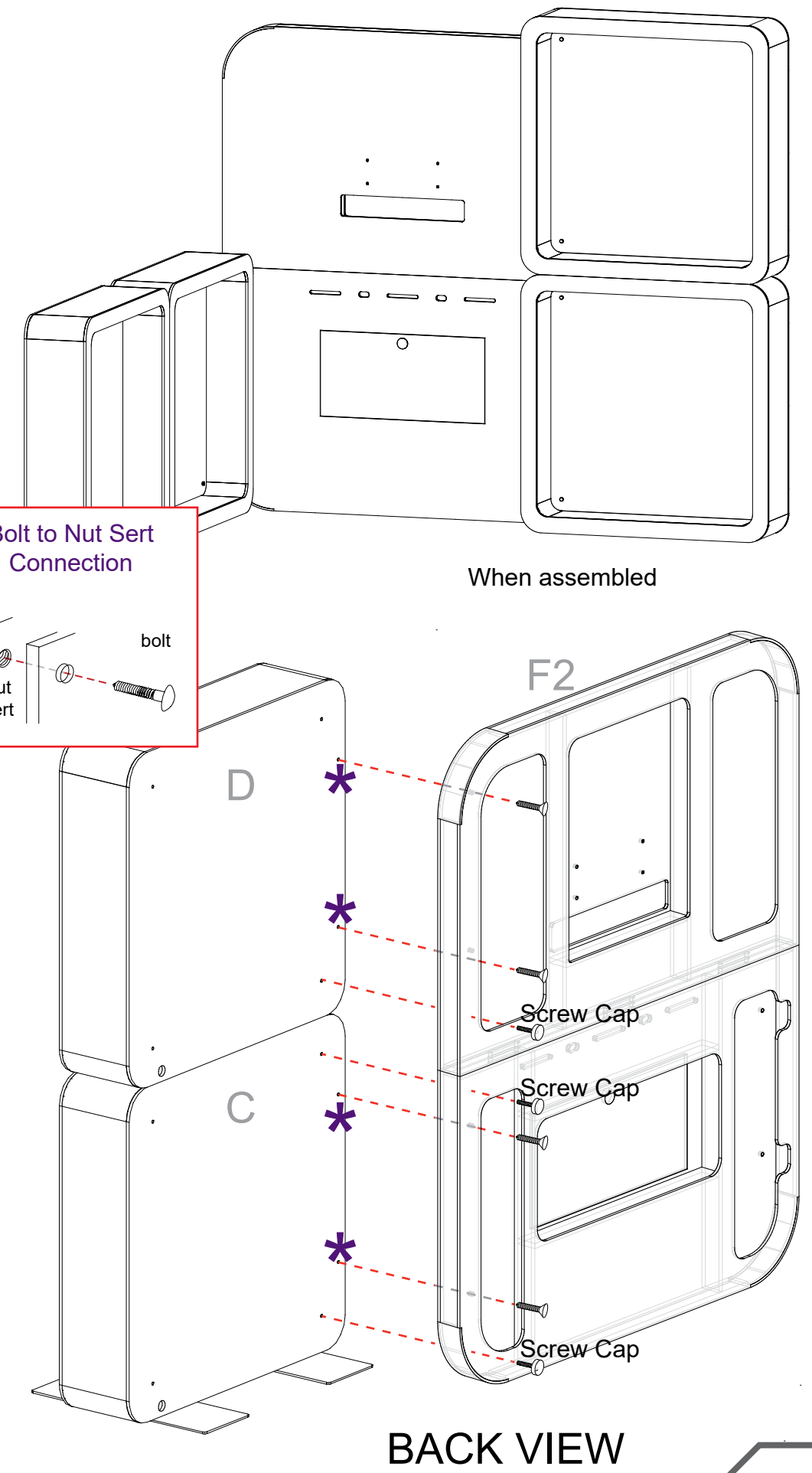


*** Bolt to Nut Sert Connection**



nut sert

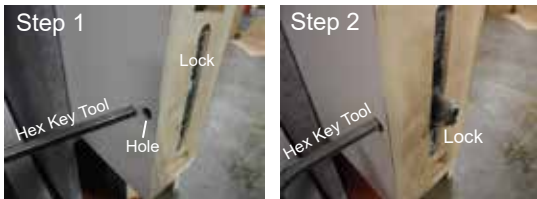
bolt



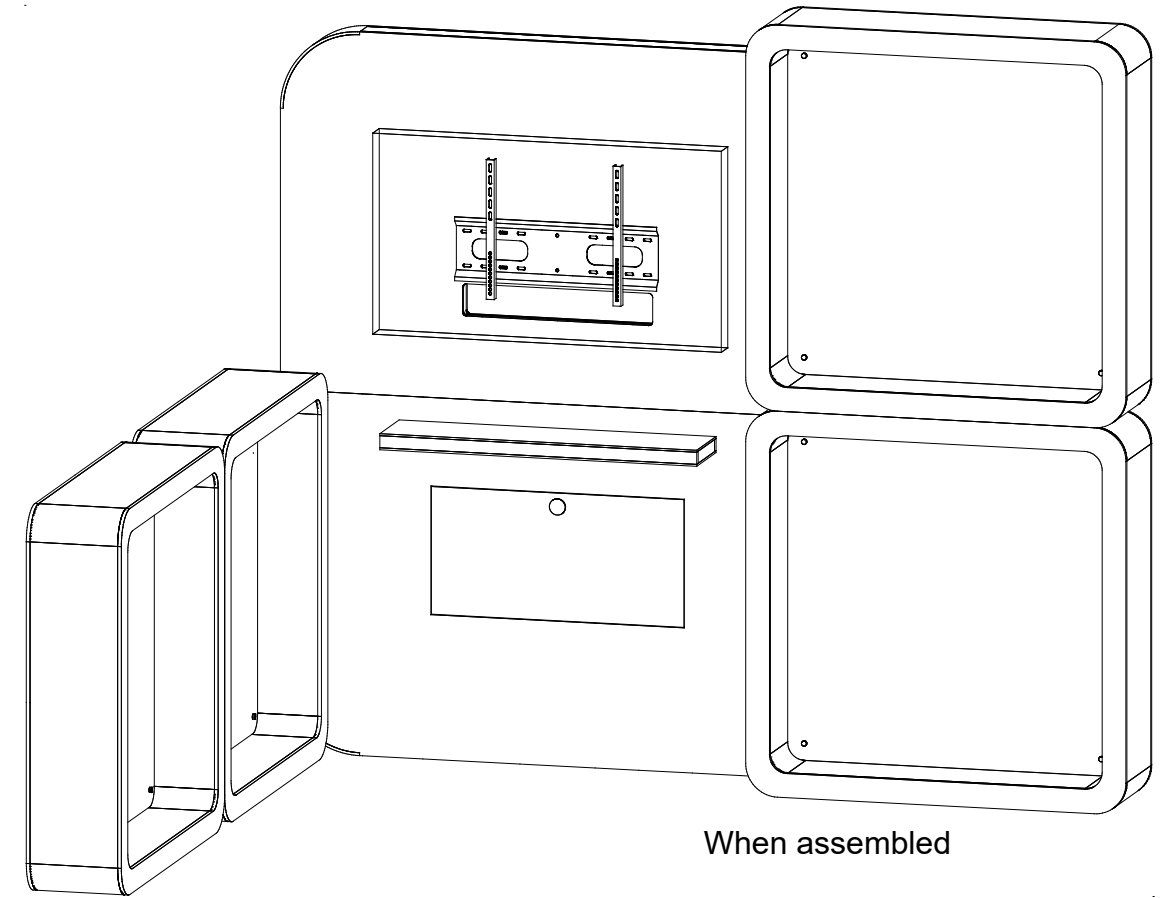
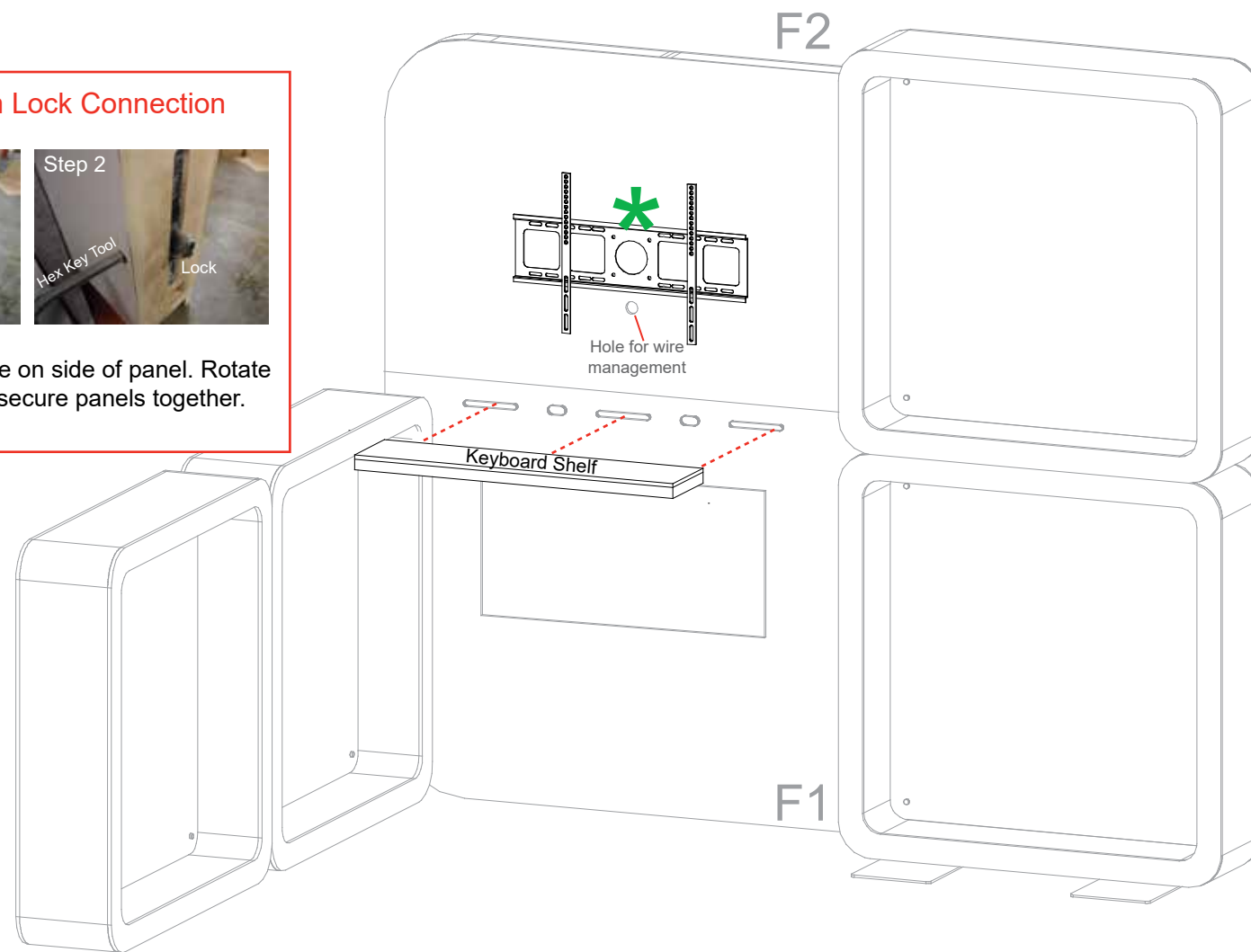
Steps:

- 1) Install Monitor Mount to backwall panels [F2].
See [Monitor Mount Attachment](#) detail.
- 2) Attach keyboard Shelf to backwall panels [F1],
See [Roto Cam Lock Connection](#).

* Roto Cam Lock Connection



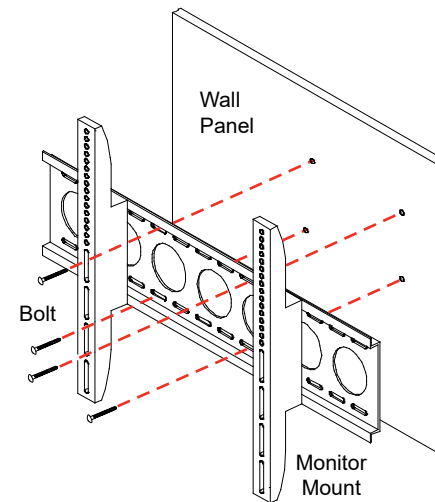
Place hex tool in hole on side of panel. Rotate to activate lock & secure panels together.



When assembled

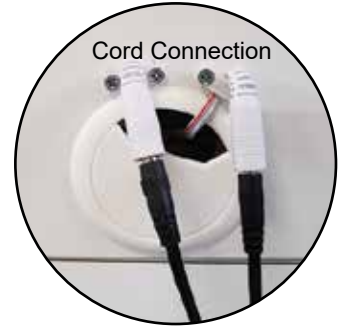
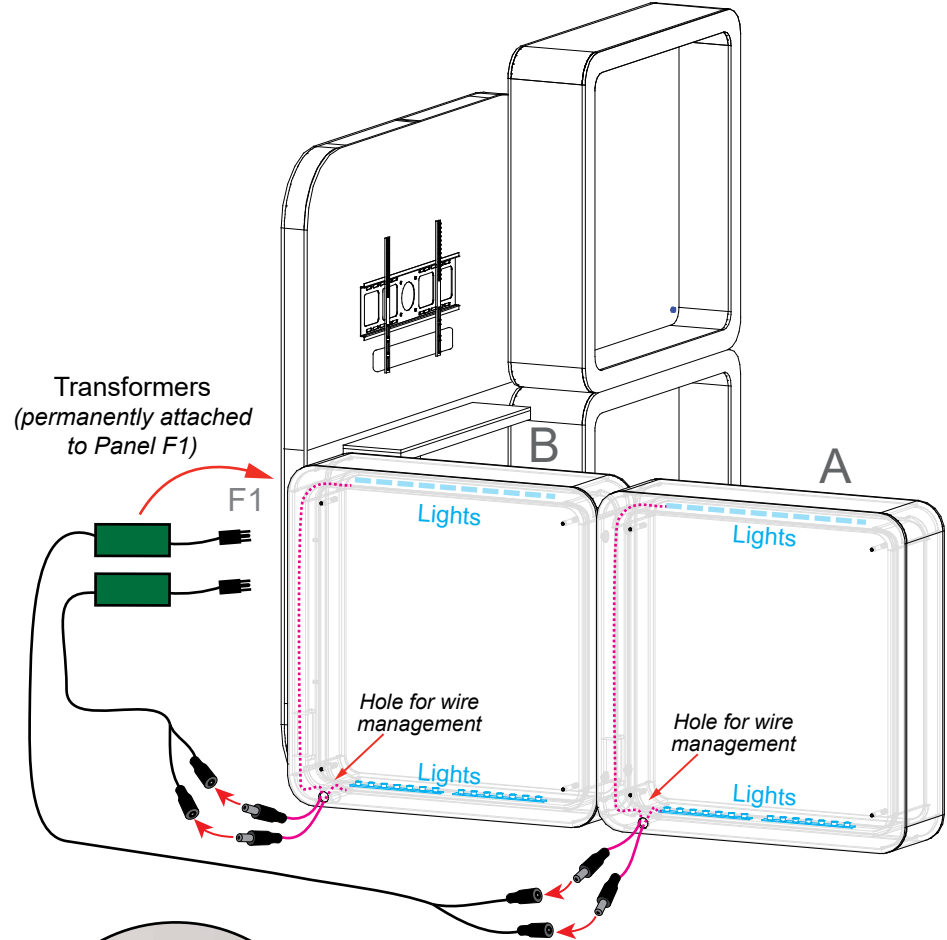
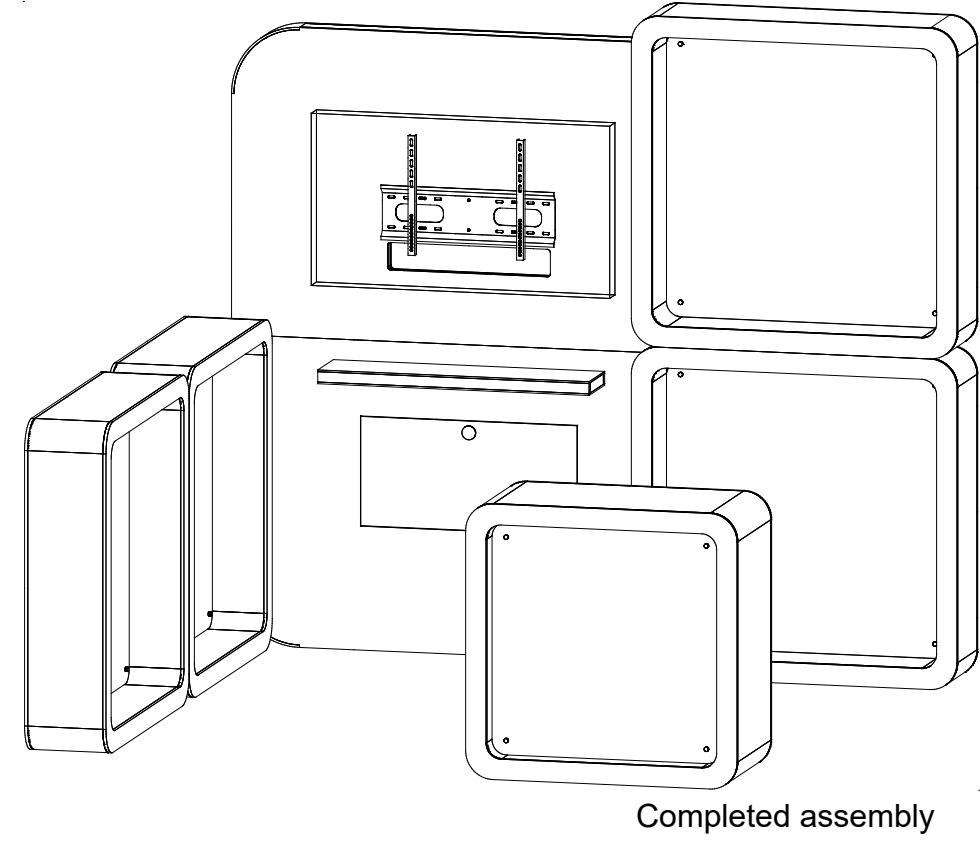
* Monitor Mount Attachment

Attach Monitor Mount to wall panel using bolts provided

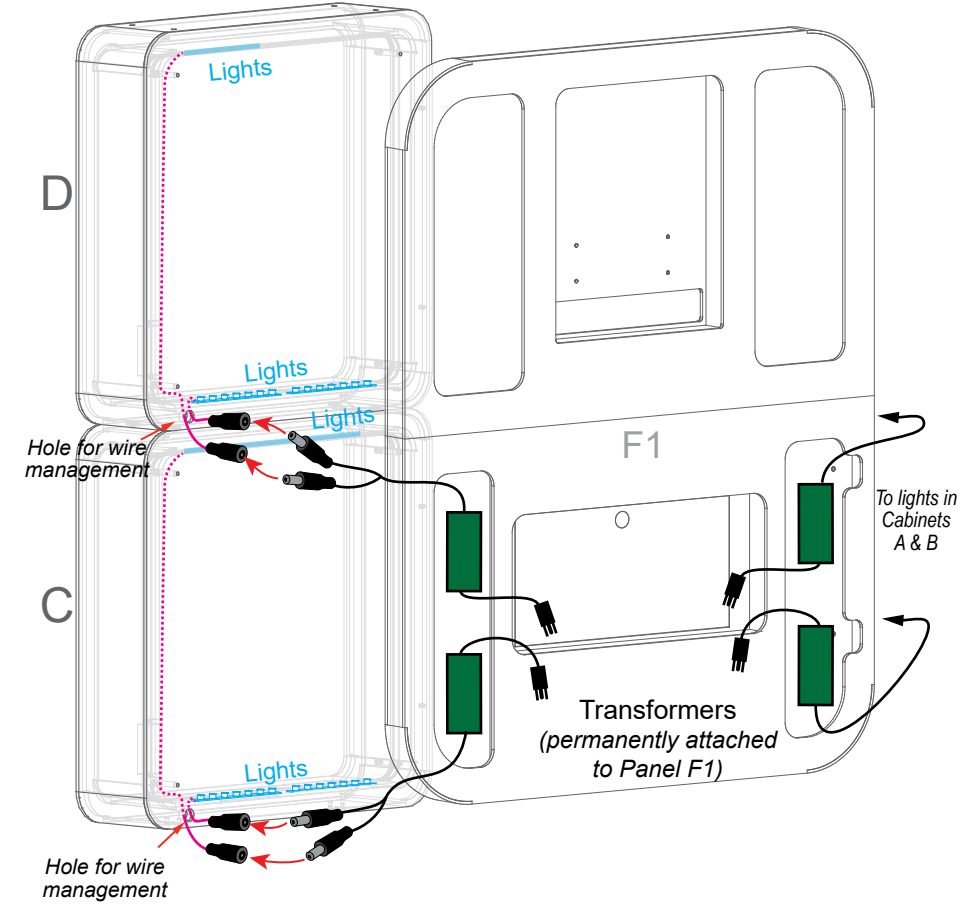
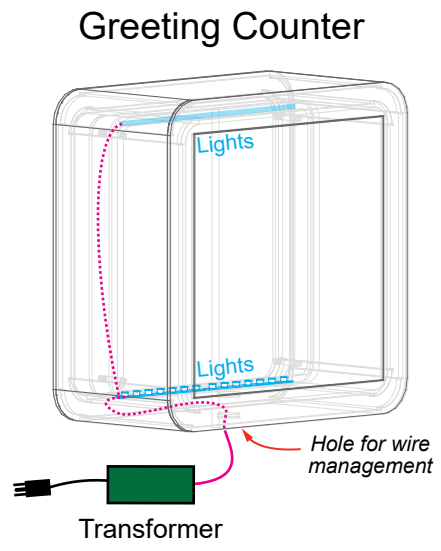


Steps:

- 1) Place Greeting Counter in front of backwall assembly, as shown on layout.
 - 2) Connect power cords to Supernova lights inside Greeting Counter, as shown.
 - 3) Attach power cords to Supernova lights inside Cabinets [A & B].
Transformers are permanently attached to the back side of panel [F1].
 - 4) Connect power cords to Supernova lights inside Cabinets [C & D].
Transformers are permanently attached to the back side of panel [F1].
- Note: Refer to the Supernova Lighting page for instructions.*



SIDE VIEW



BACK VIEW



Transformers on back of panel